

Architectural Heater LPWA Series


Model Code:

LPWA	24	45	-S	-TP	-G
A	B	C	D	E	F

A: Series
B: 12 - 120V 24 - 240V
20 - 208V 27 - 277V
C: Watts (1500 to 4500)
D: Surface Can (Included)
E: Tamper Proof Thermostat
F: Color



- Dual Pic-A-Watt® Elements
- Long life Unit Bearing Motor
- Tamper Resistant
- Tamper proof thermostat
- Tamper proof Heat/Fan/OFF Disconnect switch
- 5-Blade Aluminum Fan
- Patented Smart Limit Protection®
- Multiple wattage options
- Extruded aluminum grill
- 120, 208, 240, or 277 Volts
- 5-year limited warranty
- Optional colors silver, white bronze & black

The LPWA Architectural Heater

Entryways, corridors and all public areas are best heated with the LPWA Series. The heavy duty grill and frame can withstand heavy traffic and abuse. Tamper-resistant screws prevent unauthorized disassembly of the grill. Controls are recessed out-of-reach of fiddling fingers. Comes standard w/ Tamper proof Heat/Fan/OFF disconnect switch & tamper proof built-in thermostat. High wattage and airflow capacities replenish entryways and hallways to prevent drafts from entering the building's core. King's exclusive dual Pic-A-Watt steel fin elements allow customers to select from a range of wattage options, tailoring the heater to an area's specific heating requirements.

Ordering Information

*Add suffix -BZ for bronze, -B for black, -W for white, -G for silver

	MODEL	UPC	COLOR	VOLTS	WATTS	AMPS	SHIP WEIGHT lbs
120V	LPWA1227-TP-G	18194	Silver	120	1250•1500•1750•2000•2750	22.9	24
	LPWA1227-TP-W	20557	White	120	1250•1500•1750•2000•2750	22.9	24
	LPWA1227-S-TP-G	33052	Silver	120	1250•1500•1750•2000•2750	22.9	24
	LPWA1227-S-TP-W	20558	White	120	1250•1500•1750•2000•2750	22.9	24
208V	LPWA2045-TP-G	18245	Silver	208	2250•2750•3000•3250•3500•3750•4000•4500	21.6	24
	LPWA2045-TP-W	18247	White	208	2250•2750•3000•3250•3500•3750•4000•4500	21.6	24
	LPWA2045-S-TP-G	18241	Silver	208	2250•2750•3000•3250•3500•3750•4000•4500	21.6	24
	LPWA2045-S-TP-W	18339	White	208	2250•2750•3000•3250•3500•3750•4000•4500	21.6	24
240V	LPWA2445-TP-G	18191	Silver	*240/208	2250•2750•3000•3250•3500•3750•4000•4500	18.7	24
	LPWA2445-TP-W	18178	White	*240/208	2250•2750•3000•3250•3500•3750•4000•4500	18.7	24
	LPWA2445-S-TP-G	32962	Silver	*240/208	2250•2750•3000•3250•3500•3750•4000•4500	18.7	24
	LPWA2445-S-TP-W	32973	White	*240/208	2250•2750•3000•3250•3500•3750•4000•4500	18.7	24
277V	LPWA2740-TP-G	18199	Silver	277	2000•3000•4000	14.4	24
	LPWA2740-TP-W	20921	White	277	2000•3000•4000	14.4	24
	LPWA2740-S-TP-G	18185	Silver	277	2000•3000•4000	14.4	24
	LPWA2740-S-TP-W	33019	White	277	2000•3000•4000	14.4	24

*Dual rated heaters will draw 13% less amps and 25% less wattage when operated at 208V.

Engineering Specifications

Contractor shall supply and install LPWA Series in-wall mounted forced-air electric heaters manufactured by King Electrical Mfg. Company, of the wattage and voltage as indicated on the plans

Grill: Heavy duty extruded 12 gauge aluminum provides high impact resistance to damage. Grill is attached with tamper-proof screws (hex socket/pinned). All controls are easily accessed through grill with slotted screwdriver. Standard color is anodized silver. Dark bronze or white is available.

Elements: Element assemblies shall consist of three steel sheathed heating tubes in a furnace-brazed, plate-finned, block design. Each sheathed tube shall contain coiled Ni-Chrome wire, embedded in an insulator of Magnesium Oxide. The element assembly shall provide up to eight (8) possible wattage configurations available for selection during field installation. The use of external resistors, diodes, or other weak links to obtain multiple wattages will not be accepted.

Tamper Proof: Single Pole factory installed hydraulic capillary tube with precision control. Operating range 40°F to 90°F. Thermostat is

tamper-proof to prevent unauthorized adjustment.

Fan / Heat / Off Switch: Tamper-proof 3-position switch provides heating and summer fan-only operation. The DPST off switch provides a "positive off" that disconnects all ungrounded conductors. Controls are easily accessed through grill with slotted screwdriver.

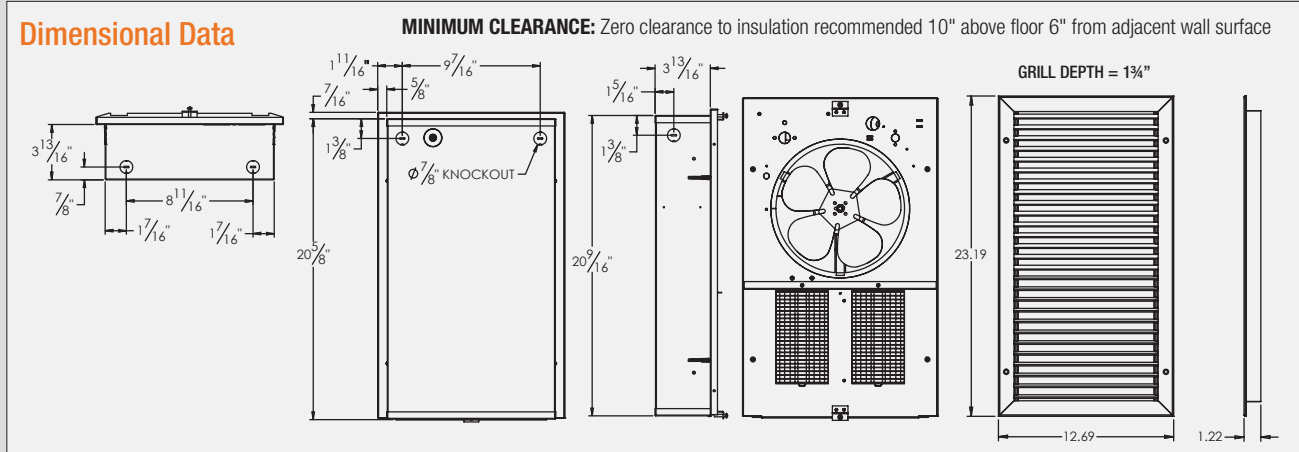
Thermal Overload: Heaters shall be equipped with King's patented thermal overload Smart Limit Protection®, which disconnects elements and motor in the event normal operating temperatures are exceeded. If thermal overload trips due to abnormal operating temperatures, thermal overload shall remain open until manually reset by turning the heater off for 15 minutes.

Fan Delay Switch: The fan continues to operate after the thermostat shuts off in order to remove the residual heat left in the elements.

Architectural Heater LPWA Series

Unit Bearing Motor: Permanently lubricated cast iron motor with enclosed rotor provides long-lasting, trouble-free operation and a 20cc oil reservoir. Thermally protected. 1300 RPM. **Wall box:** 20 gauge electro-galvanized steel. Factory installed ground-wire.

Minimum 4" clearance to floors and 6" to sidewalls. Zero clearance to combustibles in the wall. Recommended 10" clearance to floors and 16" to sidewalls. **Optional Circuit Breaker / Disconnect:** 20 Amp or 30 Amp **Control:** Transformer Relay 24V/ heat lock out delay
Approvals: cULus



Options

ADD SUFFIX	DESCRIPTION	WEIGHT lbs
-B	Grill - Black	24
-BZ	Grill - Bronze	24
-W	Grill - White	24
-G	Grill - Silver	24
-CT24*	Transformer that converts 208, 240 and 277 Volts to 24 Remote Thermostat Control	24.5
-HLR	Heat Lock Out Relay for BMS Systems	0
-S	Surface Can Included	24
-CB2	20 Amp Double Pole Circuit Breaker / Disconnect (277V Models Only)	0.5
-CB3	30 Amp Double Pole Circuit Breaker / Disconnect	0.5

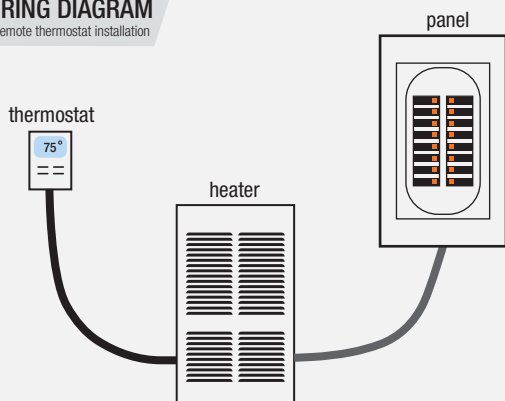
*Remove -TP Suffix when ordering -CT24 Option

Accessories

MODEL	UPC	DESCRIPTION	WEIGHT lbs
LPWAIC	18200	Architectural Recess Wall Can	6.5
LPWASA-B	17345	Surface Can Black	5
LPWASA-BZ	18202	Surface Can Bronze	5
LPWASA-G	18197	Surface Can Silver (Standard)	5
LPWASA-W	18201	Surface Can White	5
LPWAG-G	18158	LPWA Series Grill - Silver	7
LPWA-TP	18140	Tamper-proof Thermostat Replacement	2

WIRING DIAGRAM

for remote thermostat installation



Power must be routed to the heater first, and then to the remote thermostat. This is due to the fan delay circuit needed to cool the element on shut down

Colors

Standard



Silver

Bronze

White

Black